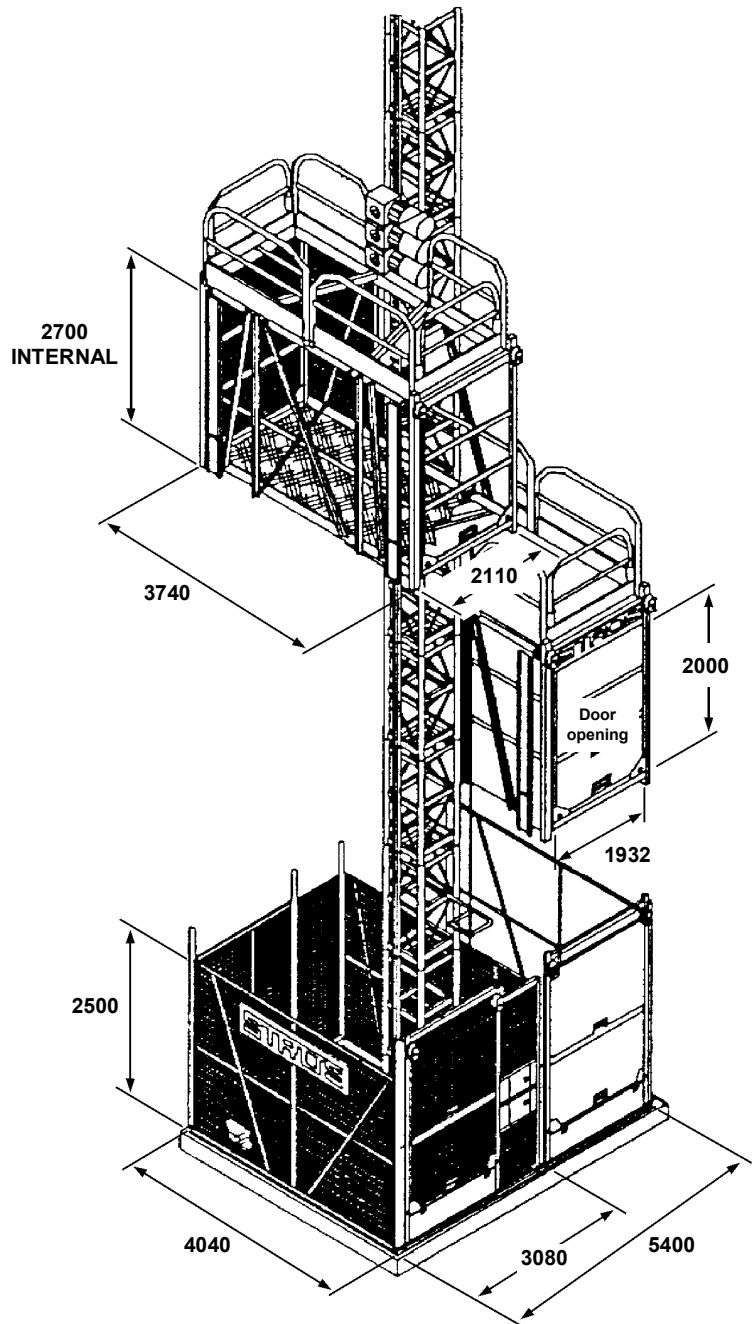




# STROS 20/37 TD PASSENGER GOODS HOIST

HOIST SPECIFICATIONS	
<b>Capacity</b>	2000kg (24 people)
<b>Internal Cage Length</b>	3.7m
<b>Internal Cage Width</b>	2.0m
<b>Speed</b>	28m/min
<b>Voltage</b>	415V 3 phase
<b>Power Cont. Duty</b>	3 x 7.5kW
<b>Starting Current</b>	310A
<b>Power Consumption</b>	49kVA
<b>Power Supply Fuses (HRC)</b>	80A
<b>Base Unit Weight</b>	4150kg
<b>Max. Freestanding Landing Height</b>	8m
<b>Max. Tie Interval</b>	12m
<b>Max. Tie Oversail</b>	9m
<b>Max. Final Landing Height</b>	146m



LONDON  
HOIST  
LTD

RIFLE STREET - LONDON - E14 6PB  
TEL : 0207 5384833 - FAX : 0207 5153593  
www.londonhoist.co.uk - info@londonhoist.co.uk

04-2003