



SKYHOOK MAXI 300 GOODS HOIST

HOIST SPECIFICATIONS

Capacity
300kg

Internal Cage Length
1.5m

Internal Cage Width
1.0m

Speed
20m/min

Voltage
110V single phase

Power Cont. Duty
1.45kW

Power Supply Fuses (HRC)
32A

Base Unit Weight
267kg

Max. Freestanding Landing Height
n/a

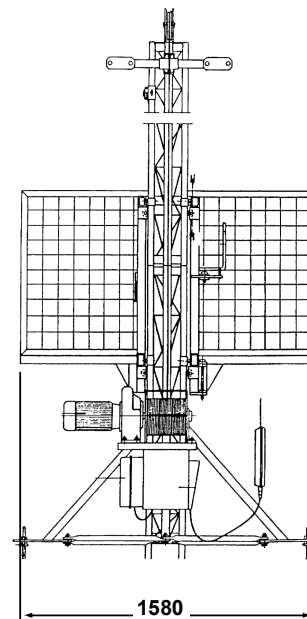
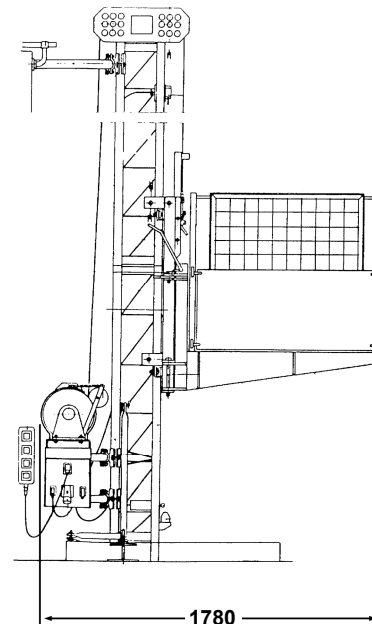
Max. Tie Interval
4m

Max. Tie Oversail
3m

Max. Final Landing Height
100m

Mast Section Length
1.5m

Scaffold Tower Size Required
2m x 2m



LONDON
HOIST
LTD

RIFLE STREET - LONDON - E14 6PB
TEL : 0207 5384833 - FAX : 0207 5153593
www.londonhoist.co.uk - info@londonhoist.co.uk