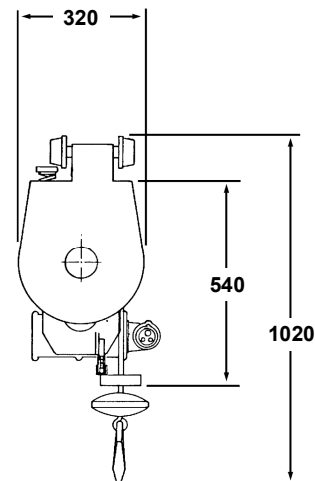
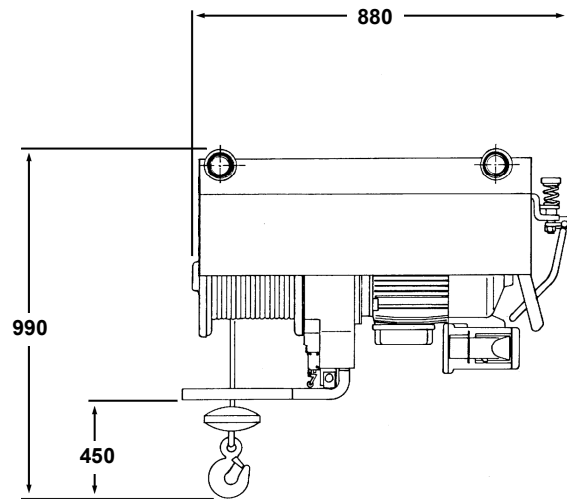


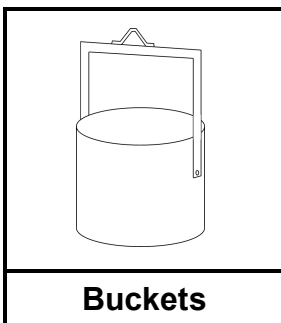


# BETA 500 GANTRY HOIST

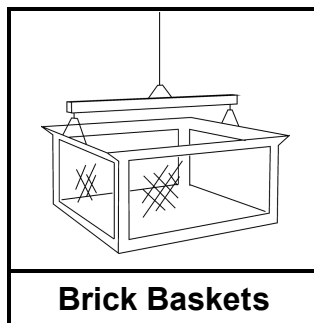
HOIST SPECIFICATIONS	
<b>Payload</b>	500kg
<b>Maximum Lifting Height</b>	50m
<b>Speed</b>	24m/min
<b>Voltage</b>	415V three phase
<b>Power Cont. Duty</b>	2.6kW
<b>Power Consumption</b>	13.28kVA
<b>Power Supply Fuses (HRC)</b>	32A
<b>Unit Weight</b>	90kg
<b>Installation Type</b>	
Static	✗
Scaffold Winch	✗
Runway Beam	✓
Ground Based	✗



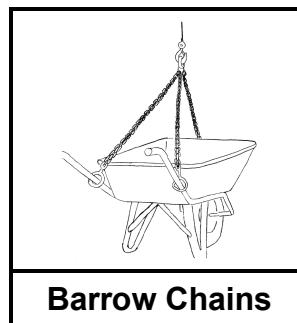
## Accessories Available from London Hoist



**Buckets**



**Brick Baskets**



**Barrow Chains**



**Webbing Slings**



RIFLE STREET - LONDON - E14 6PB  
TEL : 0207 5384833 - FAX : 0207 5153593  
www.londonhoist.co.uk - info@londonhoist.co.uk