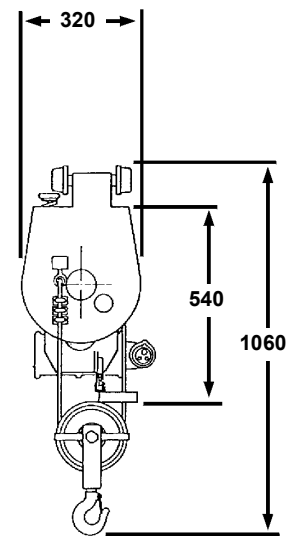
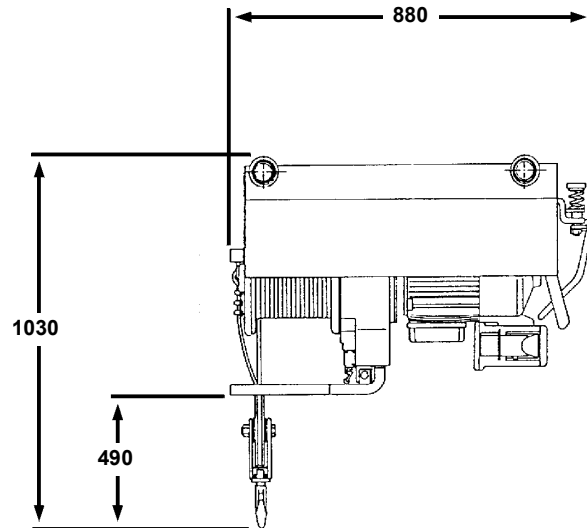


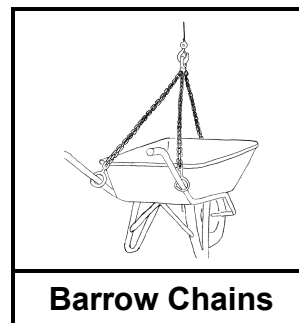
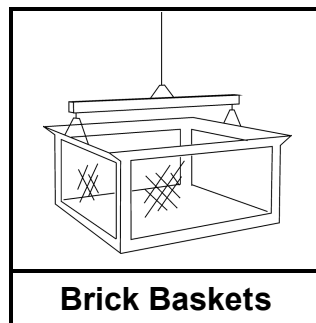
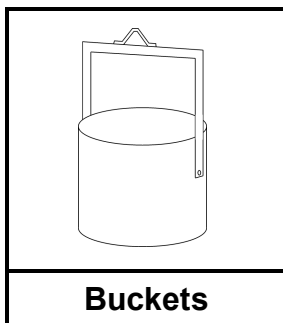


BETA 1000 GANTRY HOIST

HOIST SPECIFICATIONS	
Payload	1000kg
Maximum Lifting Height	25m
Speed	12m/min
Voltage	415V three phase
Power Cont. Duty	2.6kW
Power Consumption	13.28kVA
Power Supply Fuses (HRC)	32A
Unit Weight	90kg
Installation Type	
Static	✗
Scaffold Winch	✗
Runway Beam	✓
Ground Based	✗



Accessories Available from London Hoist



LONDON
HOIST
LTD

RIFLE STREET - LONDON - E14 6PB
TEL : 0207 5384833 - FAX : 0207 5153593
www.londonhoist.co.uk - info@londonhoist.co.uk